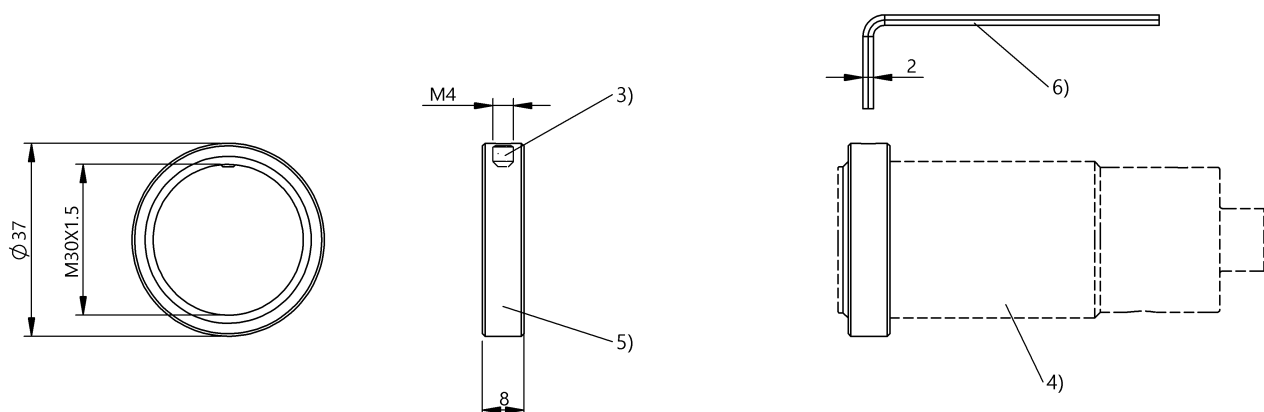


Mechanical Protection  
**BAM PC-XA-031-M30-3/W**  
**Order Code: BAM0321**

**BALLUFF**



3) Threaded pin, 4) not included in scope of delivery, 5) Female, removable, 6) Allen key size 2

**Basic features**

<b>Scope of delivery</b>	Protective cap
<b>Short description</b>	Protective ring
<b>Use</b>	for inductive sensors BES M30

**Environmental conditions**

<b>Ambient temperature</b>	-50...650 °C
----------------------------	--------------

**Material**

<b>Housing material</b>	Stainless steel
<b>Material</b>	1.4401 stainless steel

**Mechanical data**

<b>Clamping system</b>	Threads
<b>Diameter 2</b>	30.00 mm
<b>Dimension</b>	Ø 37 x 8 mm
<b>Installation</b>	for flush mounting
<b>Mounting part</b>	Threads
<b>Size</b>	M30x1.5
<b>Wall thickness t</b>	3.5 mm